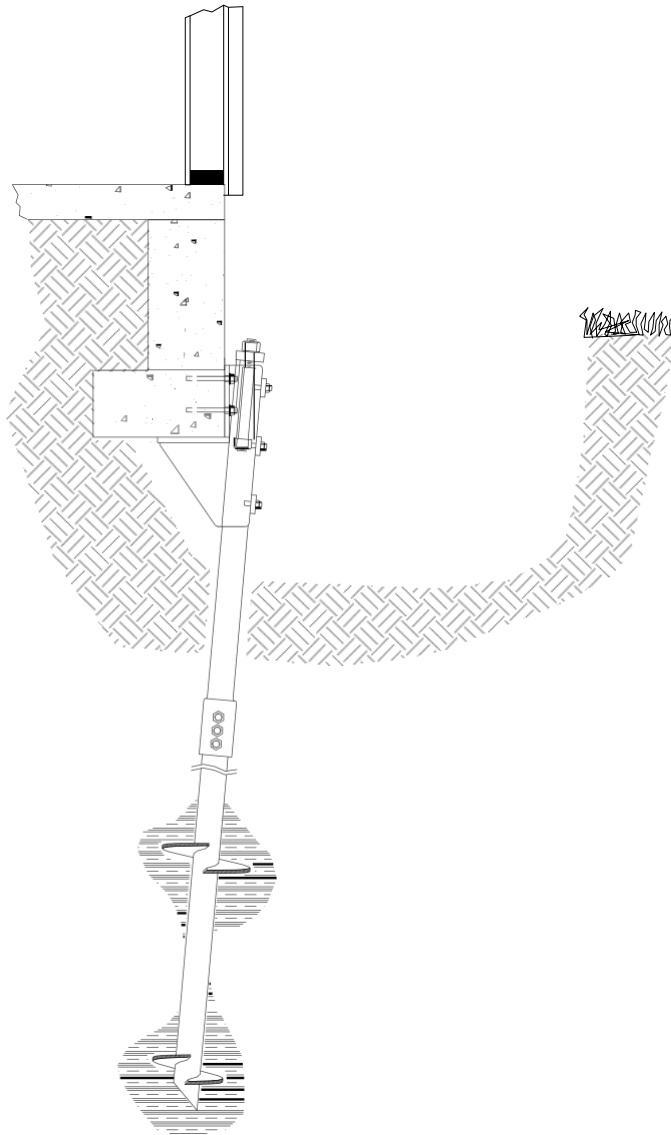




Certified Installers/Exclusive Dealers - CA, NV, AZ

Large Utility Bracket Spread Footing with Concrete Wall and Raised Slab



Certified Installers/Exclusive Dealers - CA, NV, AZ