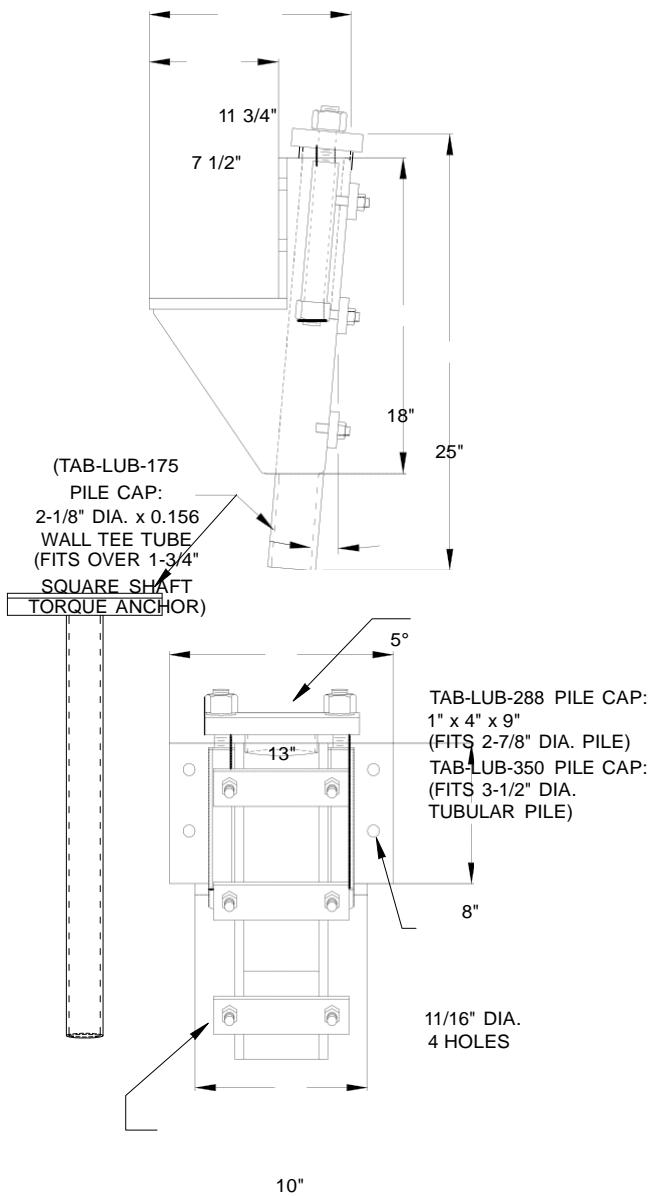
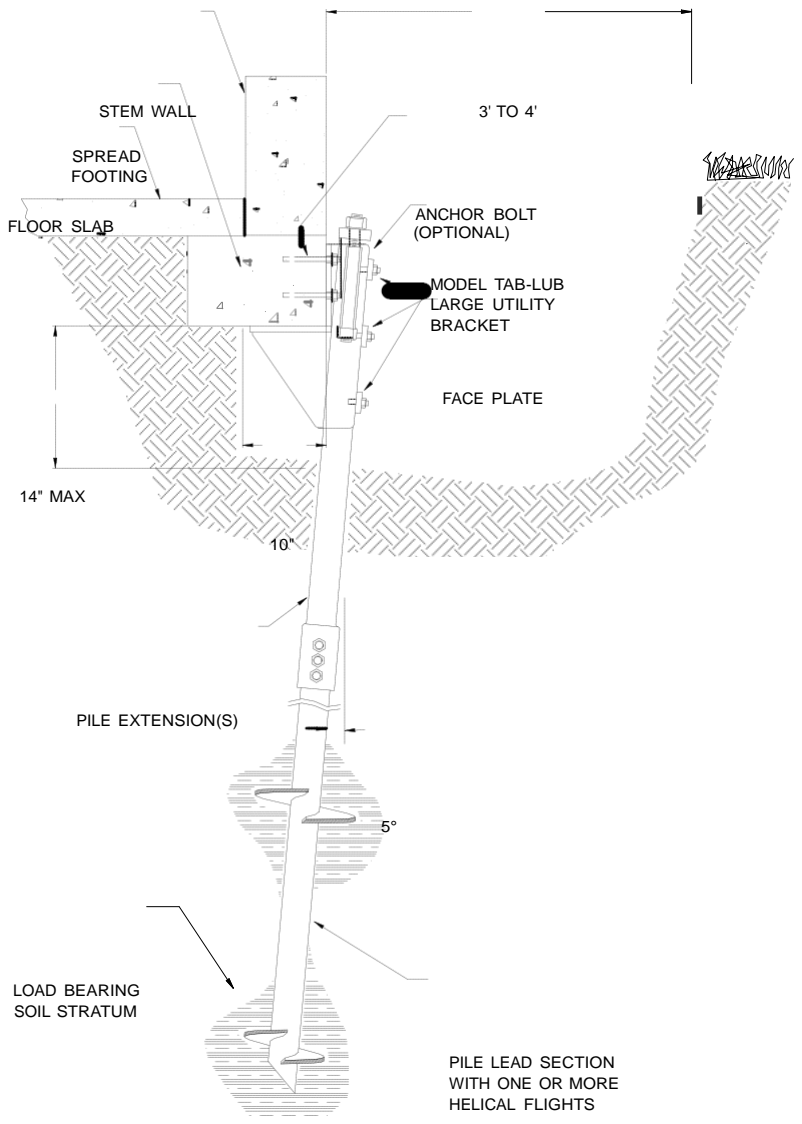


Certified Installers/Exclusive Dealers - CA, NV, AZ



FACE PLATE: 1/2" x 2" x 7-1/8" FITS TAB-LUB-288 & TAB-LUB-175 PILE STANDARD (ALTERNATE FACE PLATE: FITS TAB-LUB-350 3-1/2" DIA. TUBULAR PILE)

Model TAB-LUB Large Utility Bracket Details



Model TAB-288-LUB Large Utility Bracket Application Drawing

Certified Installers/Exclusive Dealers - CA, NV, AZ