

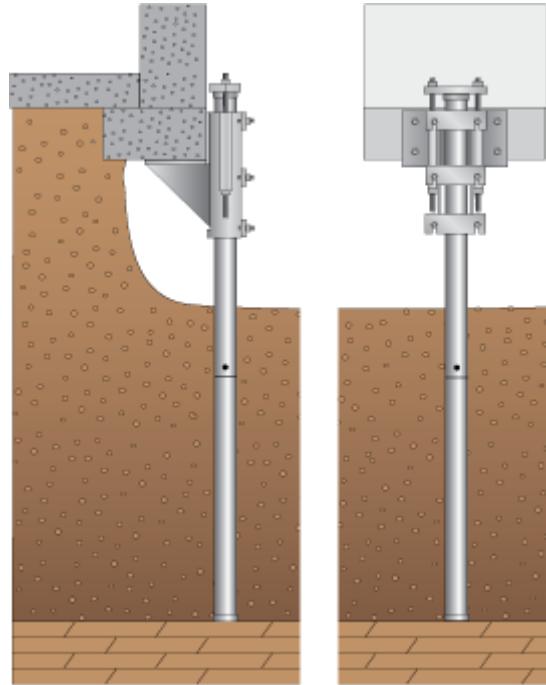


Certified Installers/Exclusive Dealers - CA, NV, AZ

Model 350 EP2 Bracket System - Steel Pier

The ECP Model 300 EP2 eccentric steel piercing system was the first in a long line of eccentric steel pier systems by Earth Contact Products. The design and engineering placed in this push pier technology is second to none. The Model 350 EP2 steel pier design penetrates the soil deeply, beyond expansive or active soils, to support structures from either the interior or exterior of the foundation without impeding installation. ECP, the leaders in steel piercing technologies, is known for the strongest and deepest driving pier systems available.

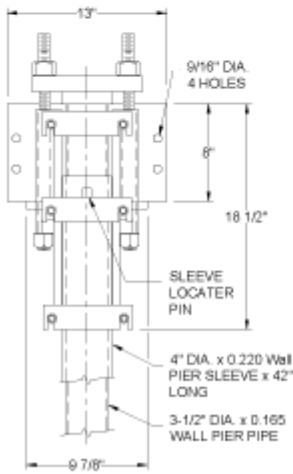
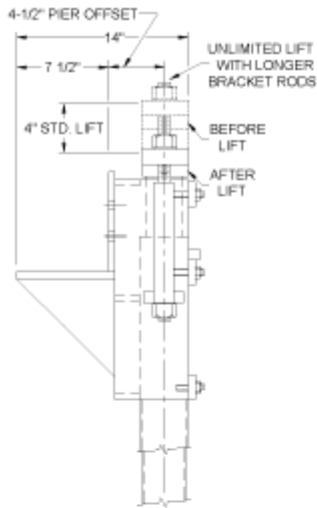
The ECP Model 350 EP2 steel pier provides a two-stage system of driving steel pilings to a verified bearing stratum. Upon reaching this load bearing soil our unique hydraulic manifold lifting system can then recover lost elevation or provide a precise stabilization of structures.



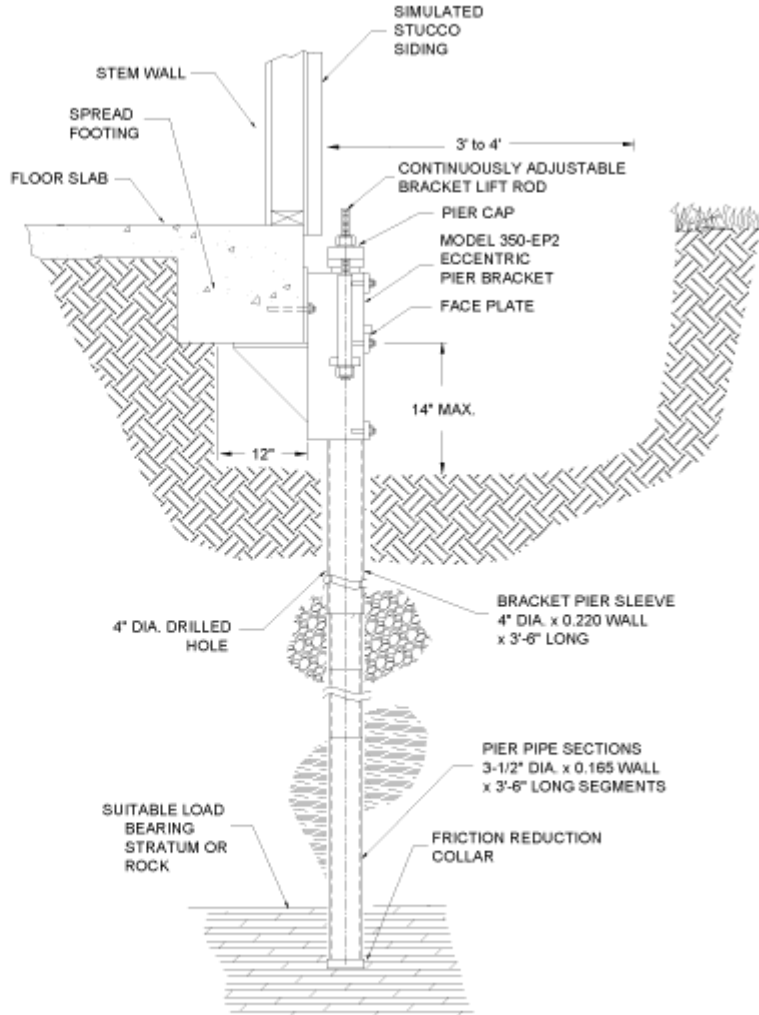
- Ultimate Capacity – 55,000 lb
- Maximum Field Test Load – 41,000 lb
- Installs In 4” Diameter Predrilled Hole Through Rock, Dense Soil & Debris
- 74 Square Inches Bearing Surface
- Standard Lift – 4”
- Fully Adjustable Unlimited Lift Capability
- Friction Reduction Collar On Lead Pier Section
- 3-1/2” Diameter High Strength, Galvanized Tubular Pier
- 4” Diameter by 42” Long Sleeve
- Installs With Portable Equipment
- Installed With Little or No Vibration
- Installs To Rock or Verified Load Bearing Stratum
- Each ECP Steel Pier™ Is Field Load Tested
- Manufacturer's Warranty



Certified Installers/Exclusive Dealers - CA, NV, AZ



Model 350-EP2 - 2" Eccentric Utility Bracket Details



Model 350-EP2 - 2" Eccentric Utility Bracket Application Drawing

The capacity of the Model 350-EP2 foundation support system using the eccentric utility bracket is a function of the capacity of pier pipe and soil surrounding the pipe, capacity of the load bearing stratum, foundation bracket, foundation strength and strength of the bracket to foundation connection. Actual capacities could be lower than the bracket capacity.

Model 350 US Patent # 6,193,442