

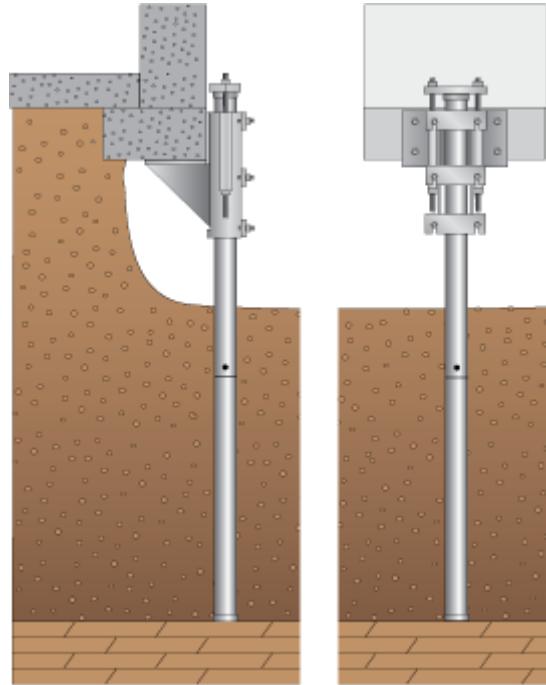


Certified Installers/Exclusive Dealers - CA, NV, AZ

Model 350 Push Pier

The patented ECP Model 350 steel pier system was the first in the full line of steel pier systems by Earth Contact Products. The design and engineering placed in this push pier technology has placed it as the top resistance pier in the industry. The Model 350 steel pier design penetrates the soil deeply, beyond expansive soils, to support structures from either the interior or exterior of the foundation. ECP, the leaders in steel push pier technologies, is known for the strongest and deepest driving pier systems available.

The ECP Model 350 steel push pier provides a two-stage system of driving steel pilings to a verified bearing stratum. Upon reaching this load bearing soil, the unique ECP hydraulic manifold lifting system can then recover lost elevation or provide a precise stabilization of structures.



Upon request by foundation repair contractors the ECP Model 350 resistance pier was designed to provide the strongest support for foundations. Like other resistance piers, it is an end-bearing pier that does not rely upon nor requires skin friction to produce support. Each pier is field load tested after it is installed. The piers are able to develop a high factor of safety because the piers are installed and load tested individually using the maximum weight of the structure as the reaction force.

The ECP Model 350 pier pipes are driven individually and the entire structure works as the reaction. A friction reduction collar is attached to the lead section of pier pipe. The purpose of the collar is to create an opening in the soil that has a larger diameter than the pier pipe. This dramatically reduces the skin friction on the pier pipe as it is driven into the soil and allows the installer to load test and verify that the pier encountered firm bearing stratum or rock that is suitable to support the design load. During load transfer, high pressure hydraulic jacks are placed at multiple locations, and connected to a hydraulic manifold, thus reducing the load on each Model 350 pier to only the design working load.



Certified Installers/Exclusive Dealers - CA, NV, AZ



Certified Installers/Exclusive Dealers - CA, NV, AZ

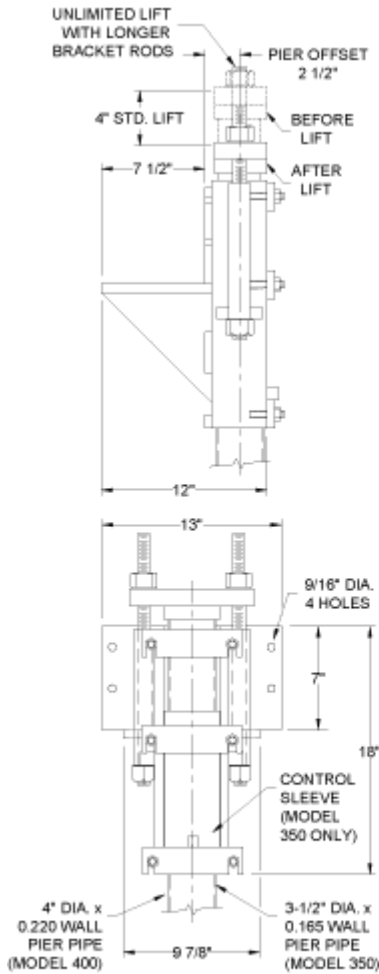
Model 350 Specifications

- Ultimate Capacity – 99,000 lb
- Maximum Field Test Load – 74,000 lb
- 74 Square Inches Bearing Surface
- Standard Lift – 4”
- Fully Adjustable Unlimited Lift Capability
- Installs From Outside or Inside Structure
- Friction Reduction Collar On Lead Pier Section
- 3-1/2” Diameter High Strength, Galvanized Tubular Pier
- Installs With Portable Equipment
- Installed With Little or No Vibration
- Installs To Rock or Verified Load Bearing Stratum
- 100% of Piers Field Load Tested During Installation
- Manufacturer's Warranty

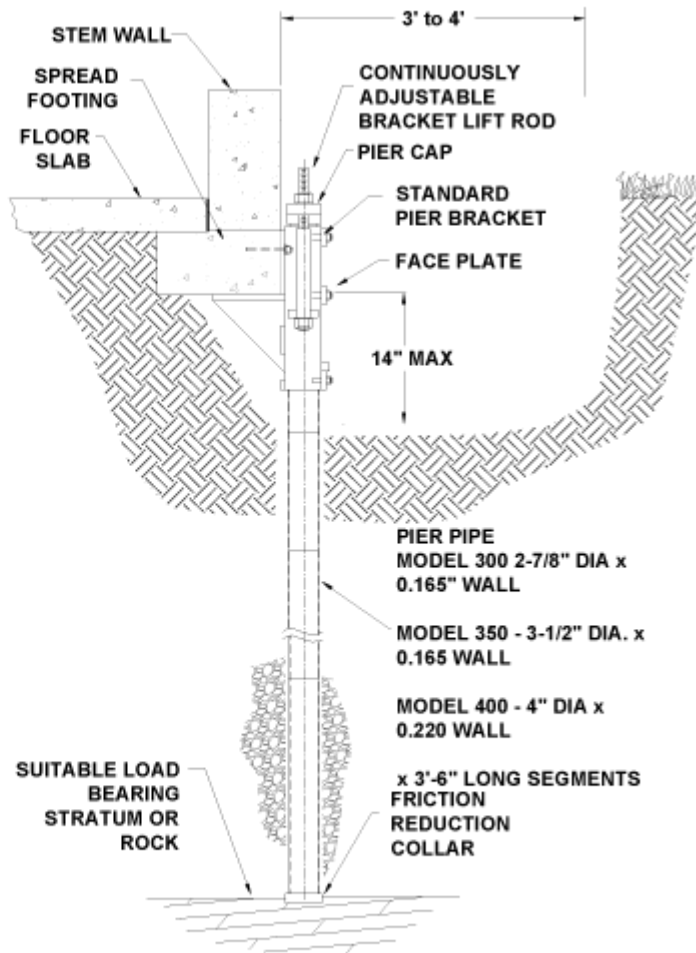
Remember, not all resistance piers are equal, on your next project make the ECP Steel Pier™ your foundation repair solution of choice.



Certified Installers/Exclusive Dealers - CA, NV, AZ



**Model 350 & Model 400
Utility Bracket Details**



**Model 350 & Model 400 Utility Bracket
Application Drawing**

The capacity of the Model 350 foundation support system is a function of the capacity of pier pipe and soil surrounding the pipe, capacity of the load bearing stratum, foundation repair bracket, foundation strength and strength of the bracket to foundation connection. Actual capacities could be lower than the bracket capacity.

Model 350 US Patent # 6,193,442

ECP Steel Piers are the #1 choice for foundation repair professionals and foundation design engineers. For more technical information about the patented ECP Steel Piers, go to the ECP Engineering section.