



Certified Installers/Exclusive Dealers - CA, NV, AZ

Model 350 TA Bracket System - Steel Pier

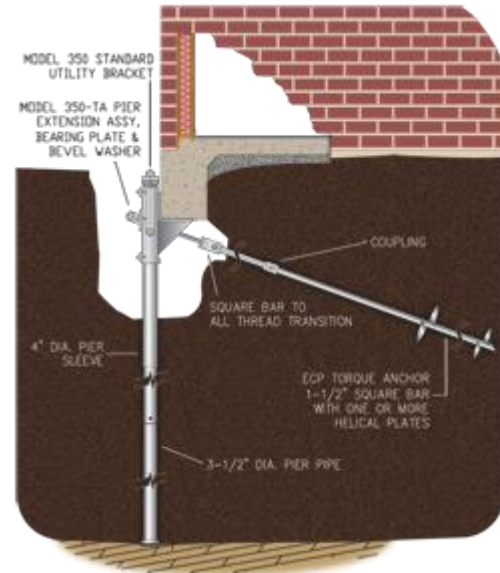
The ECP Model 300 TA steel piercing system was the first steel pier system designed by Earth Contact Products to include helical anchor lateral support. The design and engineering placed in this push pier provides lateral support along with underpinning existing foundations. The Model 350 TA steel pier design penetrates the soil deeply, beyond expansive or active soils, while the integrated helical anchor provides support for possible excavations. ECP, the leaders in steel piercing technologies, is known for the strongest and deepest driving pier systems available.

The ECP Model 350 TA steel pier provides a two-stage system of driving steel pilings to a verified bearing stratum. Upon reaching this load bearing soil our unique hydraulic manifold lifting system can then recover lost elevation or provide a precise stabilization of structures.

The ECP Model 350 TA helical integrated steel pier was designed to provide the strongest support for foundations in compression and laterally. Like other resistance piers, it is an end-bearing pier that does not rely upon nor requires skin friction to produce support. Each pier is field load tested after it is installed. The piers are able to develop a factor of safety because the piers are installed and load tested individually using the maximum weight of the structure as the reaction force. The ability of the system to develop significant factors of safety comes from the different methods used between pier installation and load transfer during restoration.

The piers are driven individually and the entire structure works as the reaction. A friction reduction collar is attached to the lead section of pier pipe. The purpose of the collar is to create an opening in the soil that has a larger diameter than the pier pipe. This dramatically reduces the skin friction on the pier pipe as it is driven into the soil and allows the installer to load test and verify that the pier encountered firm bearing stratum or rock that is suitable to support the design load. During load transfer, high pressure hydraulic jacks are placed at multiple locations, and connected to a hydraulic manifold, thus reducing the load on each pier to only the design working load.

- Ultimate Capacity – 99,000 lb
- Maximum Field Test Load – 74,000 lb
- 74 Square Inches Bearing Surface
- Installs From Outside or Inside Structure

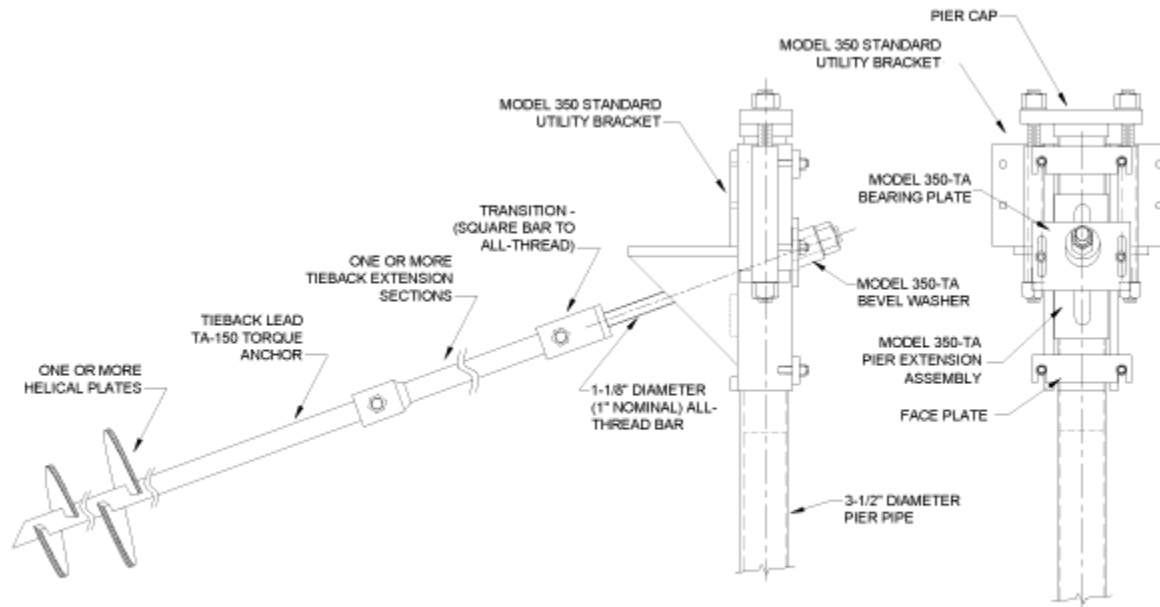


Certified Installers/Exclusive Dealers - CA, NV, AZ



Certified Installers/Exclusive Dealers - CA, NV, AZ

- Standard Lift – 4”
- Friction Reduction Collar On Lead Pier Section
- 3-1/2” Diameter High Strength, Galvanized Tubular Pier
- Installed With Little or No Vibration
- Tubular Pier Pipe Installs To Rock or Verified Load Bearing Stratum
- 100% of Piers Field Load Tested During Installation
- 1-1/2” Solid Square Shaft Helical Tieback for Lateral Support
- Ultimate Tieback Capacity – 40,000 lb.
- Tieback Installation Angle – 150° to 200°
- Manufacturer's Warranty



**Model 350 ECP Steel Pier™ System, ECP TA-150 Torque Anchor™ Tieback
and Model 350-TA Tieback Adapter Assembly**

Earth Contact Products, LLC reserves the right to change design features, specifications and products without notice, consistent with our efforts toward continuous product improvement. Please check with Earth Contact Products at 972 480-0007 or 913 393-0007 to verify that you are using the most recent specifications.

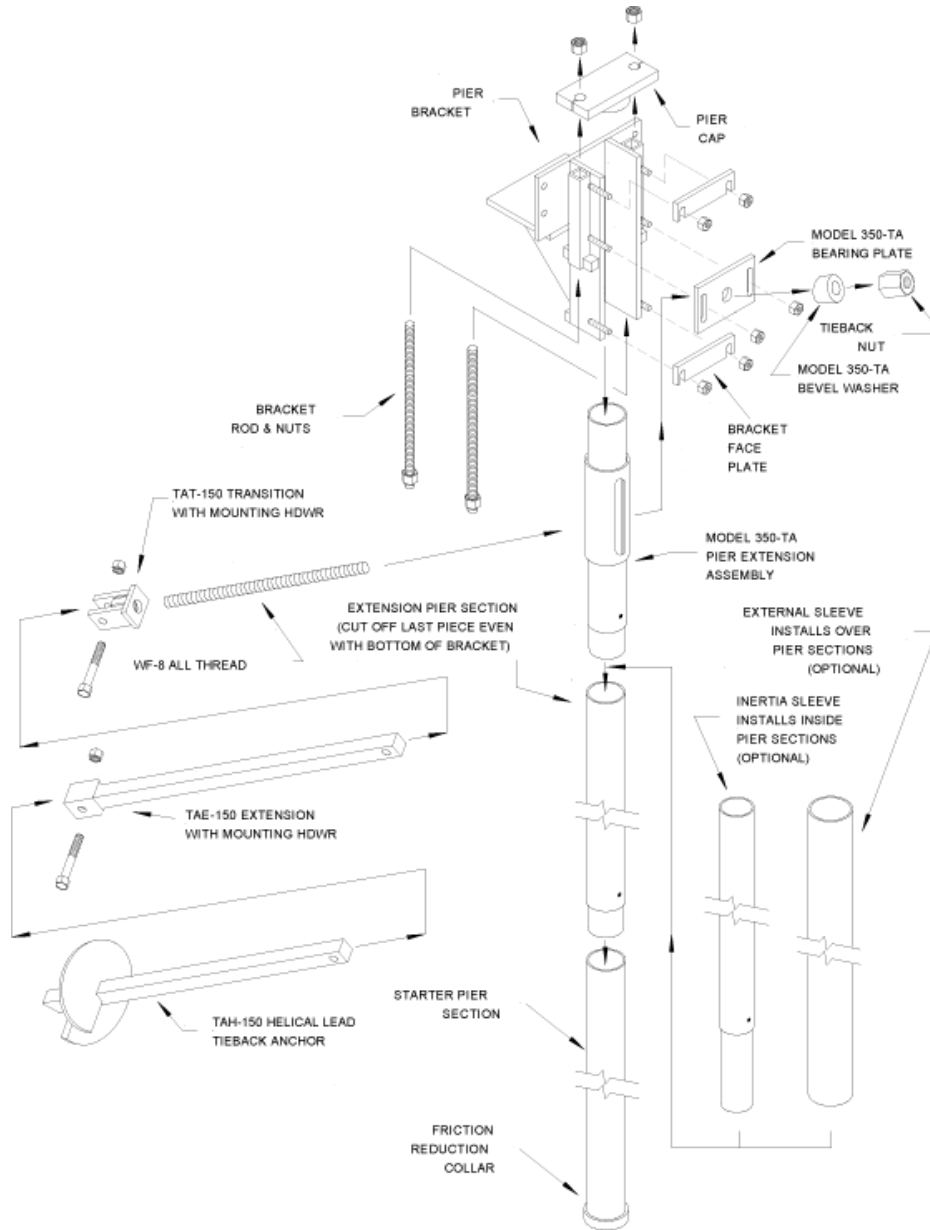
Assembly Configuration for the Model 350 ECP Steel Pier™, TAH-150 Helical Torque Anchor™ Tieback Systems & Model 350TA Torque Anchor Adapter



Certified Installers/Exclusive Dealers - CA, NV, AZ



Certified Installers/Exclusive Dealers - CA, NV, AZ



The capacity of the Model 350 ECP Steel Pier™ foundation support system is a function of the capacity of pier pipe and soil surrounding the pipe, capacity of the load bearing stratum, foundation bracket capacity, foundation strength and strength of the bracket to foundation connection. The capacity of the TA-150 Torque Anchor™ brand Helical Tieback system is directly related to the soil conditions at the site. Actual capacities could be lower than the rated ultimate capacity or of the Steel Pier™ System or the mechanical capacity Torque Anchor™ Tieback system after subjected to Factor of Safety of at least 2.0.



Certified Installers/Exclusive Dealers - CA, NV, AZ