

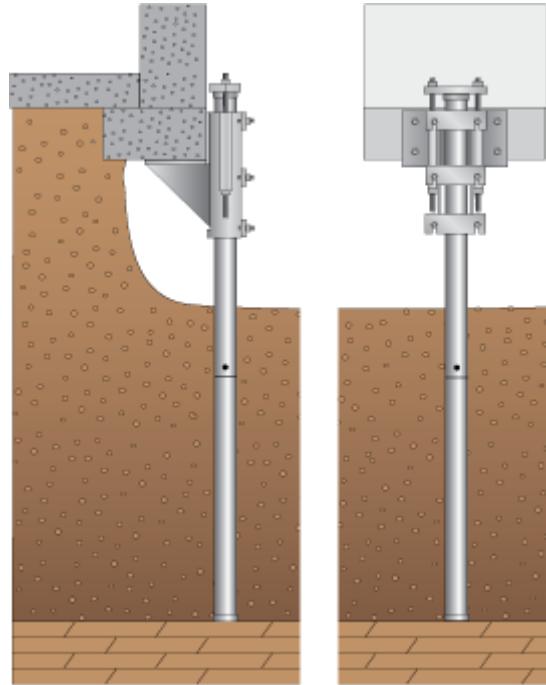


Certified Installers/Exclusive Dealers - CA, NV, AZ

Model 400 Push Pier

The patented ECP Model 400 steel pier system was the first in the full line of steel pier systems by Earth Contact Products. The design and engineering placed in this push pier technology has placed it as the top resistance pier in the industry. The Model 400 steel pier design penetrates the soil deeply, beyond expansive soils, to support structures from either the interior or exterior of the foundation. ECP, the leaders in steel push pier technologies, is known for the strongest and deepest driving pier systems available.

The ECP Model 400 steel push pier provides a two-stage system of driving steel pilings to a verified bearing stratum. Upon reaching this load bearing soil, the unique ECP hydraulic manifold lifting system can then recover lost elevation or provide a precise stabilization of structures.



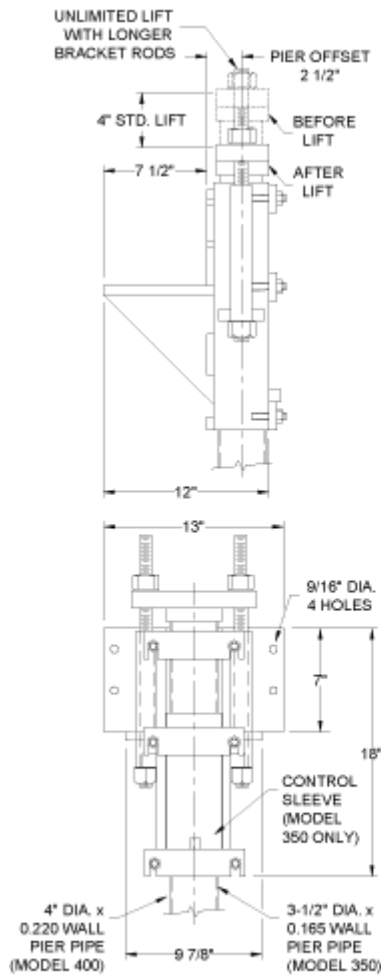
Model 400 Specifications

- Installs To Rock or Verified Load Bearing Stratum
- Ultimate Capacity – 99,000 lb
- Maximum Field Test Load – 74,000 lb
- 74 Square Inches Bearing Surface
- Standard Lift – 4”
- Fully Adjustable Unlimited Lift Capability
- Installs From Outside or Inside Structure
- Friction Reduction Collar On Lead Pier Section
- 3-1/2” Diameter High Strength, Galvanized Tubular Pier
- Installs With Portable Equipment
- Installed With Little or No Vibration
- 100% of Piers Field Load Tested During Installation
- Manufacturer's Warranty

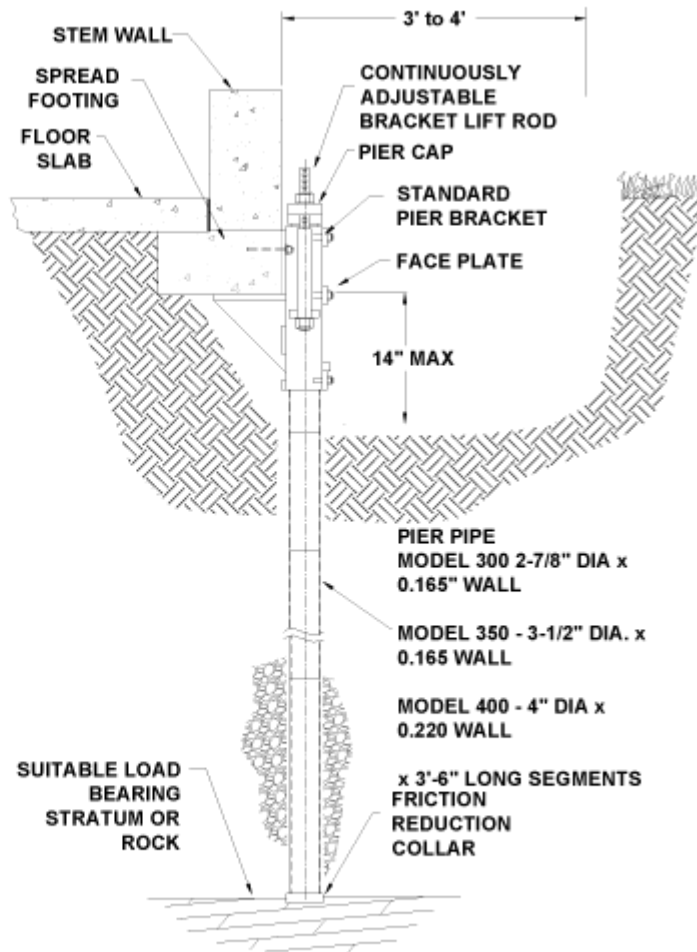
Remember, not all resistance piers are equal, on your next project make the ECP Steel Pier™ your foundation repair solution of choice.



Certified Installers/Exclusive Dealers - CA, NV, AZ



**Model 350 & Model 400
Utility Bracket Details**



**Model 350 & Model 400 Utility Bracket
Application Drawing**

The capacity of the Model 350-400 foundation support system is a function of the capacity of pier pipe and soil surrounding the pipe, capacity of the load bearing stratum, foundation repair bracket, foundation strength and strength of the bracket to foundation connection. Actual capacities could be lower than the bracket capacity.

US Patent # 6,193,442

ECP Steel Piers are the #1 choice for foundation repair professionals and foundation design engineers. For more technical information about the patented ECP Steel Piers, go to the ECP Engineering section.