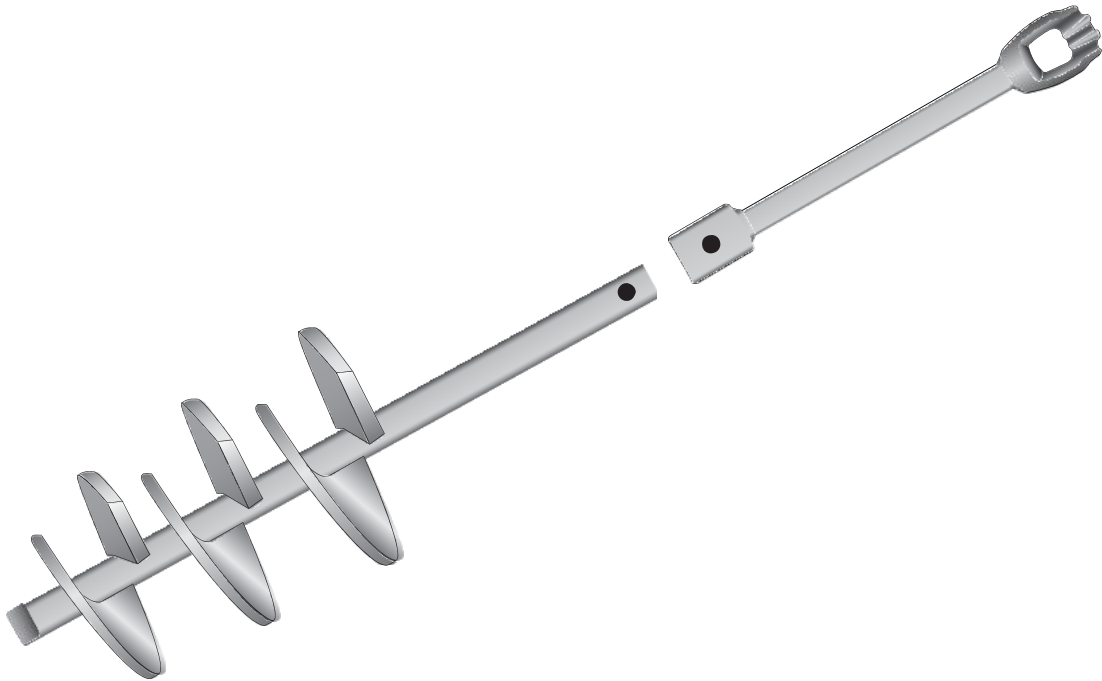


TAF-150-663-8-10-12 - Square Shaft 1 1/2" Lead Section with Triple Eye Guy Adapter



Product Specifications

Anchor Style	Square Shaft (150) Anchor
Component	Lead Section with Guy Adapter
Number of Helices	3
Helix Diameter	8" (203mm) - 10" (254mm) - 12" (305mm)
Length	66" (1676mm)
Flight Thickness	3/8" (9.5mm)
Rod Tensile Strength	70,000 lbs (311.4 kN)
Torque Rating	7,000 lbs (9,492 N-M)
Eyenuit Style	Triple Eye
Adapter Length	17" (431 mm)
Coating	Hot-Dip Galvanized
Standard Package	25
Standard Package Unit	Each
Min Order Qty	1
Weight/ Ea	91 lbs

Notes: 1-1/2" Square Shaft Lead 5'6"(1676mm) with 8" (203mm) 10" (254mm) & 12" (305mm) Helices with Triple Eye Guy Adaptor



Certified Installers/Exclusive Dealers - CA, NV, AZ