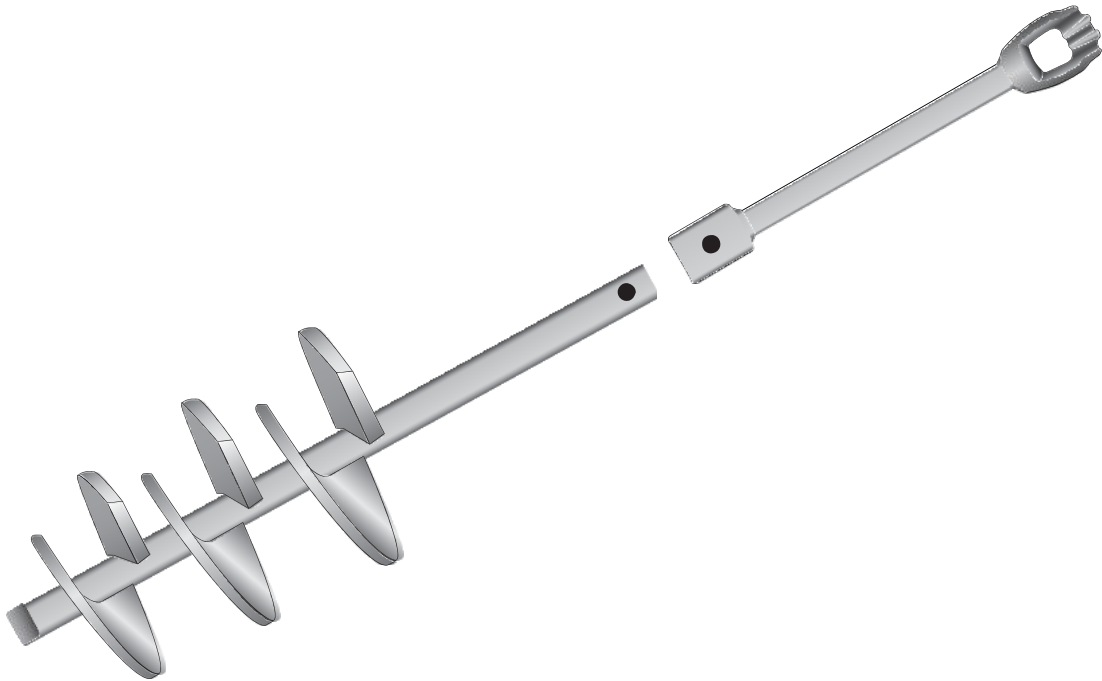


TAF-150-843-10-12-14 - Square Shaft 1 1/2" Lead Section with Triple Eye Guy Adapter



Product Specifications

| | |
|-----------------------|---|
| Anchor Style | Square Shaft (150) Anchor |
| Component | Lead Section with Guy Adapter |
| Number of Helices | 3 |
| Helix Diameter | 10" (254mm) - 12" (305mm) - 14" (356mm) |
| Length | 84" (2134mm) |
| Flight Thickness | 3/8" (9.5mm) |
| Rod Tensile Strength | 70,000 lbs (311.4 kN) |
| Torque Rating | 7,000 lbs (9,492 N-M) |
| Eyenuit Style | Triple Eye |
| Adapter Length | 17" (431 mm) |
| Coating | Hot-Dip Galvanized |
| Standard Package | 25 |
| Standard Package Unit | Each |
| Min Order Qty | 1 |
| Weight/ Ea | 108 lbs |

Notes: 1-1/2" Square Shaft Lead 84"(2134mm) with 10" (254mm) 12" (305mm) & 14" (356mm) Helices with Triple Eye Guy Adaptor



Certified Installers/Exclusive Dealers - CA, NV, AZ