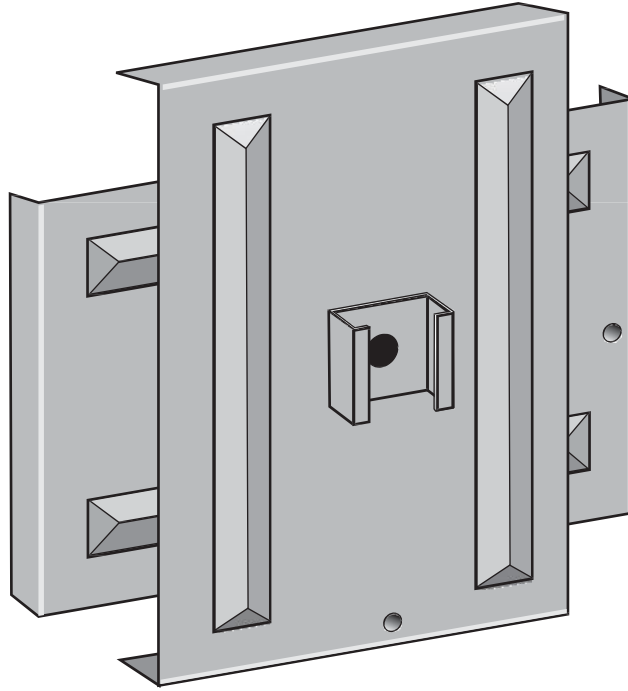


## PAL-2420 - Cross Plate Anchor



### Product Specifications

Anchor Style	Guy Anchor
Component	Cross Plate Anchor
Rod Diameter	1" (25.4 mm)
Hole Size	24" (400mm)
Area	250 sq in (1613 sq cm)
Coating	Painted
Standard Package	1
Standard Package Unit	Each
Weight/ Ea	32 lbs
Min Order Qty	1

**Notes:** Cross Plate Anchor 24" (610 mm) Hole Diameter, uses 1" (25.4 mm) Rod



Certified Installers/Exclusive Dealers - CA, NV, AZ