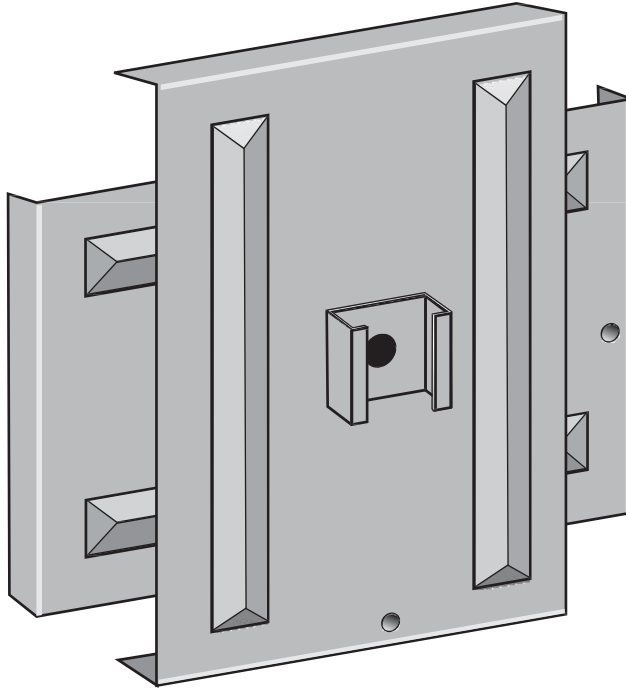


## PAM-1616 - Cross Plate Anchor



### Products Specifications

|                       |                                 |
|-----------------------|---------------------------------|
| Anchor Style          | Guy Anchor                      |
| Component             | Cross Plate Anchor              |
| Rod Diameter          | 5/8" (15.9mm) or 3/4" (19.05mm) |
| Hole Size             | 20" (508mm)                     |
| Area                  | 250 sq in (1613 sq cm)          |
| Coating               | Painted                         |
| Standard Package      | 4                               |
| Standard Package Unit | Each                            |
| Weight/ Ea            | 17 lbs                          |
| Min Order Qty         | 4                               |

**Notes:** Cross Plate Anchor 20" (508 mm) Hole Diameter, uses 5/8" (15.9 mm) or 3/4" (19.05 mm) Rod



Certified Installers/Exclusive Dealers - CA, NV, AZ