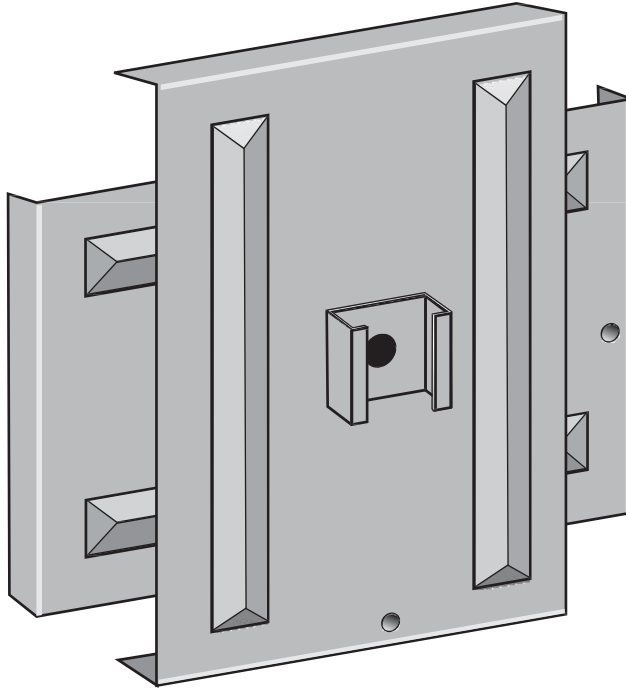


PAS-1414 - Cross Plate Anchor



Products Specifications

Anchor Style	Guy Anchor
Component	Cross Plate Anchor
Rod Diameter	5/8" (15.9mm) or 3/4" (19.05mm)
Hole Size	16" (406mm)
Area	150 sq in (968 sq cm)
Coating	Painted
Standard Package	6
Standard Package Unit	Each
Weight/ Ea	10 lbs
Min Order Qty	6

Notes: Cross Plate Anchor 16" (406 mm) Hole Diameter, uses 5/8" (15.9 mm) or 3/4" (19.05 mm) Rod



Certified Installers/Exclusive Dealers - CA, NV, AZ