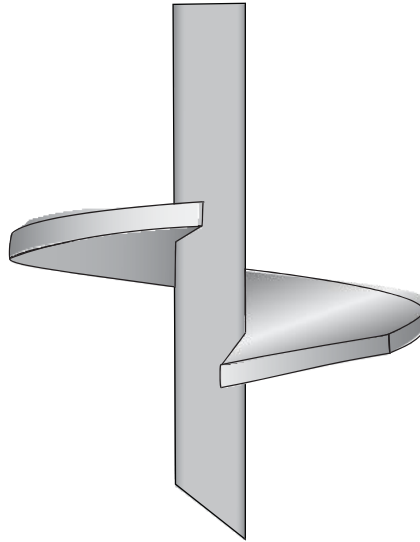


TAP-100-10-12 - High-Strength Anchor Helix



Product Specifications

Anchor Style	Power Installed Torque Anchor
Number of Helices	1
Single Helix	
Rod Diameter	12" (305 mm)
Torque Rating	3/4" (19.1 mm) or 1" (25.4 mm)
Square Hub	7,000 ft lbs (9,492 N-M)
Coating	1.5" (38.1 mm)
Standard Package	Painted (optional Hot-Dip Galvanized)
Standard Package Unit	2 per Box 48 per PLT Each
Min Order Qty	1
Weight/Ea	18 lbs

Notes: High-Strength Anchor Helix; 7,000 ft lbs (9,492 N-M), 12" (305 mm) Helix for use with 3/4" (19.1 mm) or 1" (25.4 mm) rod



Certified Installers/Exclusive Dealers - CA, NV, AZ