



Certified Installers/Exclusive Dealers - CA, NV, AZ

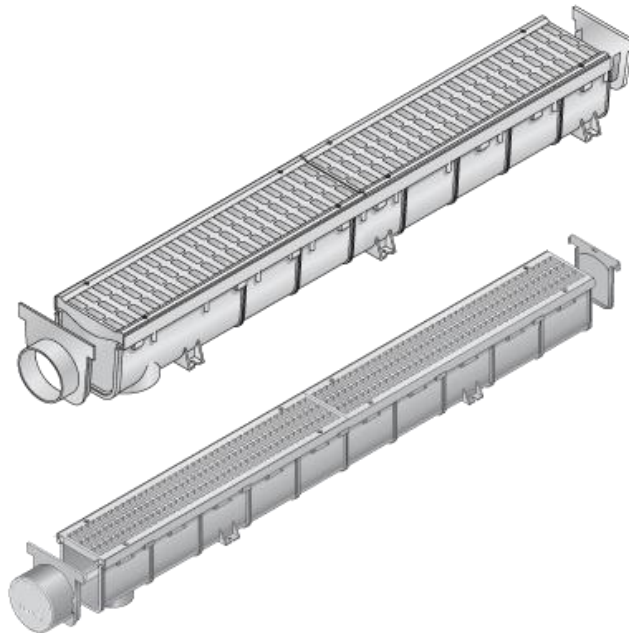
Channel Drain

The ECP Channel Drain is a lightweight drain system with interlocking joints, so connections are made quickly and easily. The modular design offers flexibility as each 40" section of channel can be snapped together for longer runs or divided down to lengths as short as 4" for smaller, interlocking sections.

Channel Drain eliminates the need for grading a deck surface to a low area. Instead, the deck is gradually sloped in one direction or plane, and the channel drain acts as a perimeter drain at the edge of the slope. Most hardscapes experience more runoff than landscapes due to the lack of water absorption. Channel Drain systems provide more overall open surface area than conventional area grates.

Recommended Applications of the Channel Drain:

<ul style="list-style-type: none">• Driveways• Tennis Courts• Parking Lots• Sidewalks• Warehouses	<ul style="list-style-type: none">• Patios• Swimming Pools & Spas• Sports Facilities• Washdown Areas• Nurseries & Greenhouses
---	---



Certified Installers/Exclusive Dealers - CA, NV, AZ